

**RATE ANALYSIS**

Date :- 20/06/2018

Providing and erecting at work site FRP casing for Column for made out of 8mm thick in FRP caste with colour grooves designed to hide structural supports inside the grooves to bind it to the RCC columns from outside by FRP putti and screws including fabricating, welding, painting structural members placed over RCC structure which are exposed colouring the casing in Duco paint in antique look, including transport, loading, unloading onsite installation with all other taxes and excluding GST etc. within the PCMC limit etc. complete as per the sketch and drawing approved by architect and as directed by engineer in charge. (of measurement will be Surface area).

Item No.	Description	Qty	Rate Without GST	Unit	Amount Without GST	Remark
1	Labour Rate as per SSR 2017-18	0.00	0.00	Day	0.00	SSR 2017-18
	Total Labour				0.00	
2	<b>Material</b>					
	FRP casting for Column for made out of 8mm thick	1.00	1900	Sq.ft.	1900.00	Market rate
3	Grand Total			Sq.ft.	1900.00	
4	Rate per unit			Sq.ft.	1900.00	
5	Rate is proposed for Rs.			Sq.ft.	1900.00	

Rate is Proposed Rs.1900 /- per Sq.ft. (In words Rs. Rupees One Thousand Nine hundred Only without GST)

Shilpi Architects And Planner.  
Architects

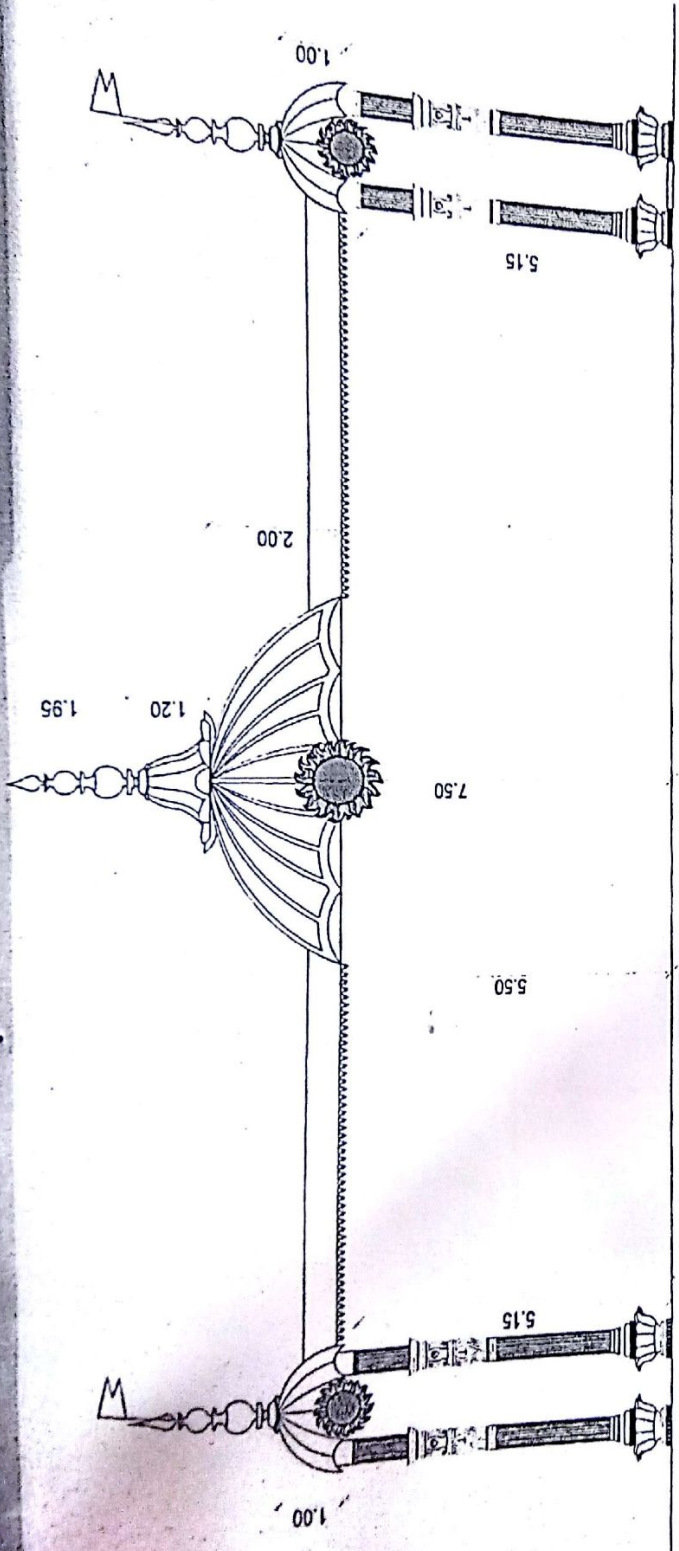
Jr. Engineer  
PCMC

De. Engineer  
PCMC

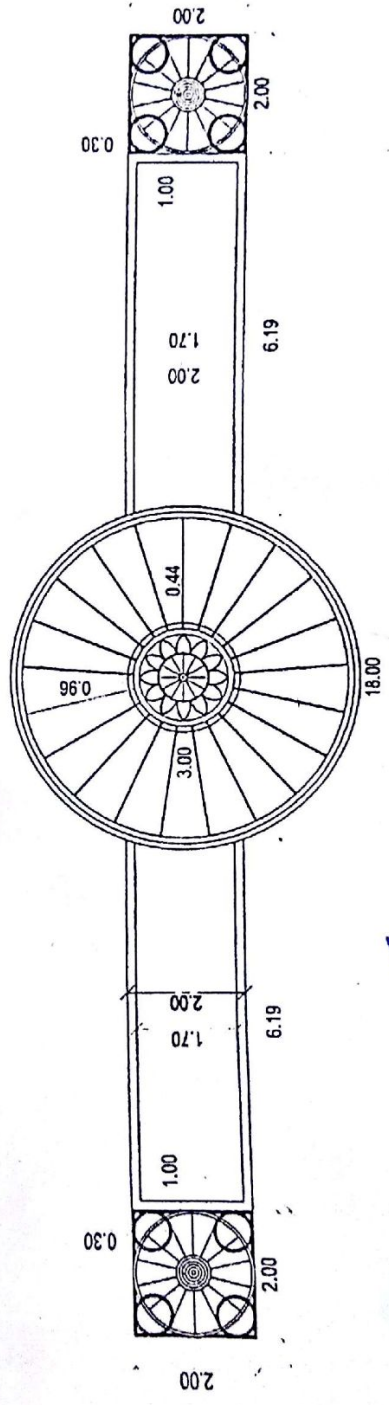
Ex. Engineer  
PCMC

Final rate Approved For above Item is Rs. 1900 /- Per Sq.ft. without GST

City Engineer  
PCMC



ELEVATION

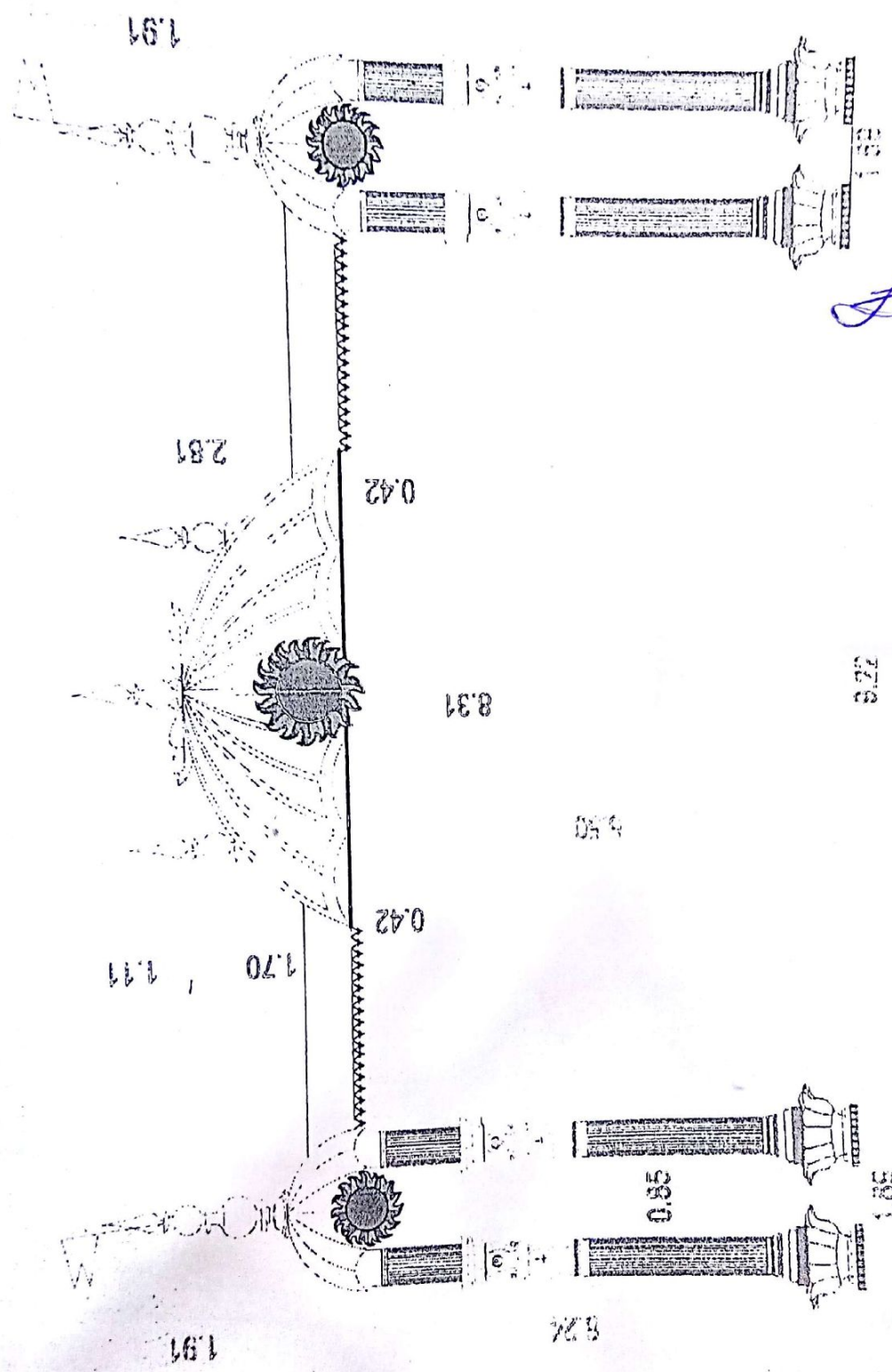


PLAN

Excutive Engineer  
Civil Garden  
P. C. M. C Pimpri Chinchwad Municipal Corporation

Deputy Engineer  
Civil Garden  
P. C. M. C

Junior Engineer  
Civil Garden  
P C M C



ELEVATION

~~Excutive Engineer~~  
 Civil Garden

Deputy Engineer  
 Civil Garden  
 P. G. M. C

~~Junior Engineer~~  
 Civil Garden  
 P. G. M. C

pimpri Chinchwad Municipal Corporation